

Waterproof IR Color Camera

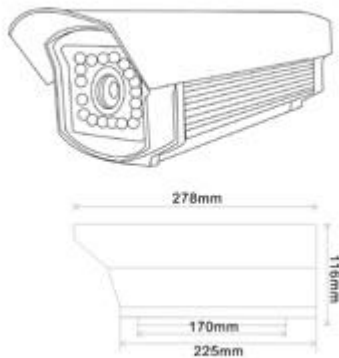


Color IR Camera

Features:

- Designed for easy mounting and installation
- High Sensitivity 1.0LUX/0LUX (IR)
- Lens Mount Type 6MM
- BLC/ EE/AGC/ AWB etc. function(auto)
- Sustainable Aging Time >10K hours

•External dimensions



OS-21L1

COLOR SHARP CCD, 420TVL,1.0/0LUX (IR)
Mirror Function(Spare)

OS-21L2

COLOR SHARP CCD, 420TVL,1.0/0LUX(IR)
Mirror Function(Spare)

GS-640

Infrared Waterproof IP 75
1/3"SONY COLOR CCD,480TVL,0LUX
20pcs Infrared Lamps,Irradiation Distance 40M
DAY/NIGHT,COLOR TO B/W

GS-639

Infrared Waterproof IP 75
1/3"SHARP COLOR CCD,480TVL,0LUX
20pcs Infrared Lamps,Irradiation Distance 40M
DAY/NIGHT,COLOR TO B/W

•Specification

MODEL	OS-21L1	OS-21L2	GS-640	GS-639
Image Device	SHARP	SHARP	SONY	SHARP
Effective Pixel	NTSC : 537×505		NTSC : 768×494	
	PAL : 537×597		PAL : 752×582	
Sync.System	Internal			
Resolution	420TVL		480TVL	
Minimum Illumination	1.0LUX		0LUX	
S/N Ratio	≥48dB			
Gain Control	Auto			
White Balance	Auto (2500°K~9500°K)			
Electronic Shutter	Auto E Shutter:1/60(1/50)~1/100000 Sec			
Back light Compensation	On/off Switchable			
Lens Mount Type	6MM			
IR Distance	15M		40M	
Video Output	1.0Vp-p,75Ω			
Power Consumption	120mA			
Power Supply	DC12V			
Operation Temp	-10°C~+50°C			